

GOYO

光幕传感器 Light Curtain Sensors



CE

光洋高品质、高标准产品
为客户提供全方位服务



温州市光洋工业自动化有限公司

Wenzhou Guangyang Industrial Automation CO. , LTD.

产品命名方式 Naming Rules

光幕传感器 Light Curtain Sensors

SL C 40 □-T 06 □ □ NO □ - □□□□
 1 2 3 4 5 6 7 8 9 10 11

1. 分类 Type Code

- L: 区域传感器
Area sensor
- SL: 安全光幕传感器
Safety light curtain

2. 外形 Shape

- C: 外形代号 Shape code

3. 光轴间距 The Axes Distance

- 例: 20表示间距为20mm
E.g. The 20 means of the distance between two axes is 20mm

4. 光种类 Beam Lines

- 无 N/A: 平行光幕
Light curtain with parallel beams
- X: 交叉光幕
Light Curtain with cross beams

5. 检测方法 Detect Method

- D: 回归反射 Retro reflection
- T: 对射 Through beam reflection

6. 光轴数 Axes Number

- 04: 4轴 4 Axes 08: 8轴 8 Axes
- 24: 24轴 24 Axes ……

7. 检测距离 Detect Distance

- 无 N/A: 5m
- 02 : 2m; 03: 3m ……

8. 工作电压 Supply Voltage

- 无 N/A: 12-24VDC T: 10-30VDC
- L: 15-30VDC ……

9. 输出方式及状态 Output Status

- 无 N/A: 发射器 Emitter
- U: 电压型(0…10V) Voltage output (0…10V)
- U1: 电压型(0…5V) Voltage output (0…5V)
- I: 电流型(0…20mA) Current output (0…20mA)
- IU: 电压型+电流型(0…10V, 0…20mA)
Voltage+current output(0…10V, 0…20mA)
- NO: 接收器 NPN NO输出
Receiver NPN NO output
- NC: 接收器 NPN NC输出
Receiver NPN NC output
- PO: 接收器 PNP NO输出
Receiver PNP NO output
- PC: 接收器 PNP NC输出
Receiver PNP NC output

AO: 接收器 NPN+PNP NO输出

Receiver NPN+PNP NO output

AC: 接收器 NPN+PNP NC输出

Receiver NPN+PNP NC output

BO: 接收器 PNP+PNP NO输出

Receiver PNP+PNP NO output

BC: 接收器 PNP+PNP NC输出

Receiver PNP+PNP NC output

10. 连接方式 Connection

- 无 N/A: M12四芯插件+引线
M12 Plug 4pin with cable
- E3: M8四芯插件+引线
M8 Plug 4pin with cable
- M2: M12四芯插件 M12 Plug 4pin
- M3: M8四芯插件 M8 Plug 4pin
- M5: M12五芯插件 M12 Plug 4pin
- M8: M12八芯插件 M12 Plug 8pin
- F2: 引线式2m Cable: 2m
- F3: 引线式3m Cable: 3m

11. 特殊要求 Special Request

- 用四位数字表示
With four numbers indicate

SLC系列 SLC Series

- 采用同步扫描技术，具有较强的抗干扰能力；
- 备有多种保护高度选择；
- 光轴间距：20mm，或40mm；
- 配套专用控制器，具有较强的输出控制功能；
广泛应用于食品，包装，物流及自动化装配等行业领域。
- Apply in synchronous scanning technology, strong interference prevention function.
- Various of protection height.
- Axes distance: 20mm, 40mm.
- With special controller, strong output control function.
- Widely using in food, packing, logistics and automation assembly field.



SLC20 系列参数 Parameters

光轴数	Axes Qua.	4轴 4Axes	8轴 8Axes	12轴 12Axes	16轴 16Axes	20轴 20Axes	24轴 24Axes	28轴 28Axes	32轴 32Axes
发射器	Emitter	SLC20-T04	SLC20-T08	SLC20-T12	SLC20-T16	SLC20-T20	SLC20-T24	SLC20-T28	SLC20-T32
	NPN NO	SLC20-T04NO	SLC20-T08NO	SLC20-T12NO	SLC20-T16NO	SLC20-T20NO	SLC20-T24NO	SLC20-T28NO	SLC20-T32NO
	PNP NO	SLC20-T04PO	SLC20-T08PO	SLC20-T12PO	SLC20-T16PO	SLC20-T20PO	SLC20-T24PO	SLC20-T28PO	SLC20-T32PO
检测高度	Detection height	60mm	140mm	220mm	300mm	380mm	460mm	540mm	620mm
检测距离	Detection width	5m							
光轴间距	Beam distance	20mm							
检测物体	Sensing object	Φ 30mm 以上的不透明体 > Φ 30mm opaque object							
电源电压	Power voltage	12~24V DC ±10%							
消耗电流	Current consumption	<150mA							
响应时间	Response time	<6ms	<12ms	<18ms	<24ms	<30ms	<36ms	<42ms	<48ms
光源	Light sources	红外线LED (调制式)				Infrared LED (modulate)			
保护电路	Circuit protection	逆极性, 过载, 短路				Reverse polarity, short-circuit protection, overload protection			
周围温度	Ambient temperature	-10~+55° C (注意不可结露、结冰), 存储: -10~+60° C				-10~+55° C (forbidden dewed or iced), storage: -10~+60° C			
周围湿度	Ambient humidity	35~85%RH, 存储: 35~85%RH				35~85%RH, storage: 35~85%RH			
周围照度	Intensity of illumination	白炽灯: 受光面照度 3,000lx				Incandescent lamp: intensity of illumination 3,000lx			
耐电压	Withstanding voltage	AC1,000V 1min							
绝缘电阻	Insulation resistance	50MΩ 以上, 基于DC500V的高阻表				Above 50MΩ, base on DC 500V Megger			
耐振动	Anti-vibration	10~150Hz, 双振幅: 1.5mm, X, Y和Z各方向2小时				10~150Hz, double-amplitude: 1.5mm, in each of x, y and z direction for 2 hours			
耐冲击	Anti-concussion	加速度: 500m/s ² (约50G), X, Y和Z各方向3次				Acceleration: 500m/s ² (approx:50G), for 3 times, in each of x, y and z direction			
防护等级	Protection degree	IP65							
材质	Housing material	外壳: 铝合金; 透光罩: 聚酯; 端盖: 增强尼龙				Housing: AL; Light cover: polyester; End cover: strengthen nylon			
接线方式	Connection	引线0.2m配 M12 连接器				0.2m cable with M12 connector			
配件	Accessory	引线2.5m母座线 (E12-N4F2.5) (可根据客户需求定制)				2.5m Connection cable (E12-N4F2.5) (Customized available)			

规格 Datasheets

规格 Item code	A	B	H	L
SLC20-T04	20	22	60	102
SLC20-T08	20	22	140	182
SLC20-T12	20	22	220	262
SLC20-T16	20	22	300	342
SLC20-T20	20	22	380	422
SLC20-T24	20	22	460	502
SLC20-T28	20	22	540	582
SLC20-T32	20	22	620	662

H: 保护高度, H=A*(N-1)

L为光幕总长度L=H+42mm

A: 光轴间距, 20mm或40mm

N: 光轴数

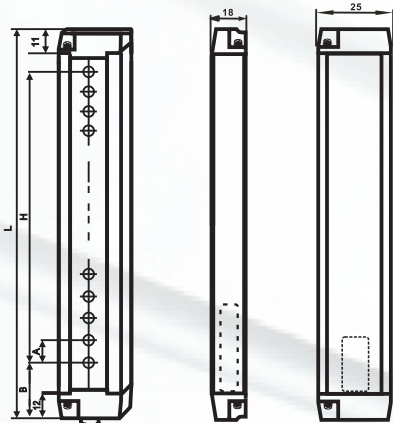
H: Protection height, H=A*(N-1)

L means of the total height L=H+42mm

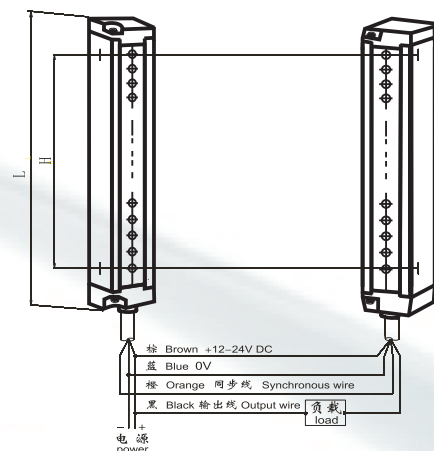
A: the Axes distance, 20mm or 40mm

N: the quantity of axes.

尺寸图 Dimensions



电气接线图 Electrical wiring diagram



光幕传感器 Light Curtain Sensors

SLC40 系列参数 Parameters

光轴数 Axes Qua.	4轴 4Axes	6轴 6Axes	8轴 8Axes	10轴 10Axes	12轴 12Axes	14轴 14Axes	16轴 16Axes
发射器 Emitter	SLC40-T04	SLC40-T06	SLC40-T08	SLC40-T10	SLC40-T12	SLC40-T14	SLC40-T16
NPN NO	SLC40-T04NO	SLC40-T06NO	SLC40-T08NO	SLC40-T10NO	SLC40-T12NO	SLC40-T14NO	SLC40-T16NO
NPN NC	SLC40-T04NC	SLC40-T06NC	SLC40-T08NC	SLC40-T10NC	SLC40-T12NC	SLC40-T14NC	SLC40-T16NC
PNP NO	SLC40-T04PO	SLC40-T06PO	SLC40-T08PO	SLC40-T10PO	SLC40-T12PO	SLC40-T14PO	SLC40-T16PO
PNP NC	SLC40-T04PC	SLC40-T06PC	SLC40-T08PC	SLC40-T10PC	SLC40-T12PC	SLC40-T14PC	SLC40-T16PC
检测高度 Detection height	120mm	200mm	280mm	360mm	440mm	520mm	600mm
光轴数 Axes Qua.	18轴 18Axes	20轴 20Axes	22轴 22Axes	24轴 24Axes	26轴 26Axes	28轴 28Axes	32轴 32Axes
发射器 Emitter	SLC40-T18	SLC40-T20	SLC40-T22	SLC40-T24	SLC40-T26	SLC40-T28	SLC40-T32
NPN NO	SLC40-T18NO	SLC40-T20NO	SLC40-T22NO	SLC40-T24NO	SLC40-T26NO	SLC40-T28NO	SLC40-T32NO
NPN NC	SLC40-T18NC	SLC40-T20NC	SLC40-T22NC	SLC40-T24NC	SLC40-T26NC	SLC40-T28NC	SLC40-T32NC
PNP NO	SLC40-T18PO	SLC40-T20PO	SLC40-T22PO	SLC40-T24PO	SLC40-T26PO	SLC40-T28PO	SLC40-T32PO
PNP NC	SLC40-T18PC	SLC40-T20PC	SLC40-T22PC	SLC40-T24PC	SLC40-T26PC	SLC40-T28PC	SLC40-T32PC
检测高度 Detection height	680mm	760mm	840mm	920mm	1000mm	1080mm	1240mm
检测距离 Detection width	5m						
光轴间距 Beam distance	40mm						
检测物体 Sensing object	Φ60mm 以上的不透明体 > Φ60mm Opaque object						
电源电压 Power voltage	12~24V DC ±10%						
消耗电流 Current consumption	<150mA						
响应时间 Response time	<12ms	<18ms	<24ms	<30ms	<36ms	<42ms	<48ms
	<54ms	<60ms	<66ms	<72ms	<78ms	<84ms	<90ms
光源 Light sources	红外线LED (调制式)			Infrared LED (modulate)			
保护电路 Circuit protection	逆极性, 过载, 短路			Reverse polarity, short-circuit protection, overload protection			
周围温度 Ambient temperature	-10~+55° C (注意不可结露、结冰), 存储: -10~+60° C			-10~+55° C (forbidden dewed or iced), storage: -10~+60° C			
周围湿度 Ambient humidity	35~85%RH, 存储: 35~85%RH			35~85%RH, storage: 35~85%RH			
周围照度 Intensity of illumination	白炽灯: 受光面照度 3,000lx			Incandescent lamp: intensity of illumination 3,000lx			
耐电压 Withstanding voltage	AC1,000V 1min						
绝缘电阻 Insulation resistance	50MΩ 以上, 基于DC500V的高阻表			Above 50MΩ, base on DC 500V Megger			
耐振动 Anti-vibration	10~150Hz, 双振幅: 1.5mm, X, Y和Z各方向2小时			10~150Hz, double-amplitude: 1.5mm, in each of x, y and z direction for 2 hours			
耐冲击 Anti-concussion	加速度: 500m/s ² (约50G), X, Y和Z各方向3次			Acceleration: 500m/s ² (approx: 50G), for 3 times, in each of x, y and z direction			
防护等级 Protection degree	Ip65						
材质 Housing material	外壳: 铝合金; 透光罩: 聚酯; 端盖: 增强尼龙			Housing: AL; Light cover: polyester; End cover: strengthen nylon			
接线方式 Connection	引线0.2m配 M12 连接器			0.2m cable with M12 connector			
配件 Accessory	引线2.5m母座线 (E12-N4F2.5) (可根据客户需求定制)			2.5m Connection cable (E12-N4F2.5) (Customized available)			

规格 Datasheets

规格 Item code	A	B	H	L
SLC40-T04	40	22	120	182
SLC40-T06	40	22	200	262
SLC40-T08	40	22	280	342
SLC40-T10	40	22	360	422
SLC40-T12	40	22	440	502
SLC40-T14	40	22	520	582
SLC40-T16	40	22	600	662
SLC40-T18	40	22	680	742
SLC40-T20	40	22	760	822
SLC40-T22	40	22	840	902
SLC40-T24	40	22	920	982
SLC40-T26	40	22	1000	1062
SLC40-T28	40	22	1080	1142
SLC40-T30	40	22	1160	1222
SLC40-T32	40	22	1240	1302

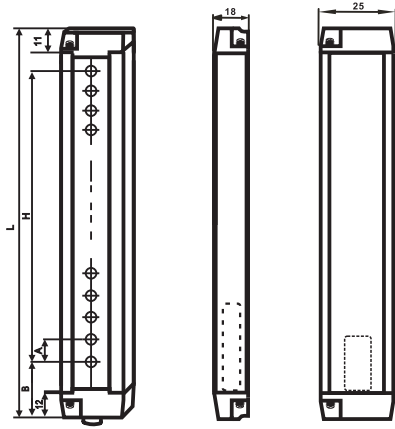
H: 保护高度, H=A*(N-1)
H: Protection height, H=A*(N-1)

L: 光幕总长度 L=H+62mm
L: means of the total height L=H+62mm

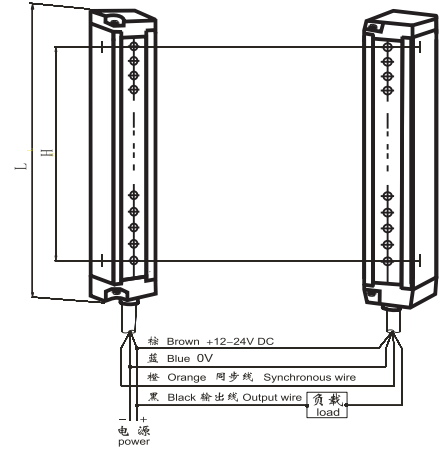
A: 光轴间距, 20mm或40mm
A: is the Axes distance, 20mm or 40mm

N: 为光轴数
N: the quantity of axes.

尺寸图 Dimensions



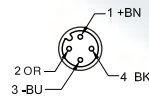
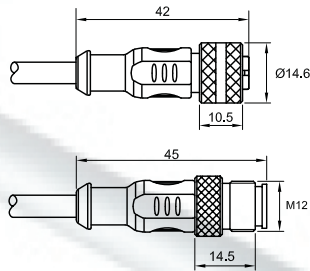
电气接线图 Electrical wiring diagram



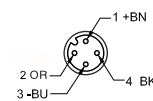
安装支架 The mounting bracket



电缆附件 Cable accessories



母插
Female plug



公插
Male plug



WWW.CHGOYO.COM

服务热线：400-882-0577

温州市光洋工业自动化有限公司

Wenzhou Guangyang Industrial Automation CO., LTD.

地址：浙江省乐清市柳市镇东风工业区凌云路20号6楼

邮编：325604

电话：86-0577-27868888

传真：86-0577-27867788

邮箱：chgoyo@126.com

Add:NO.20,Lingyun Road, Dongfeng Industrial Zone,Liu shi town, Yueqing City, Zhejiang Province, China 325604

Tel: 86-577-27868888

Fax: 86-577-27867788

E-mail:chgoyo@126.com